

# ELECTRONIC SOUNDER D-115

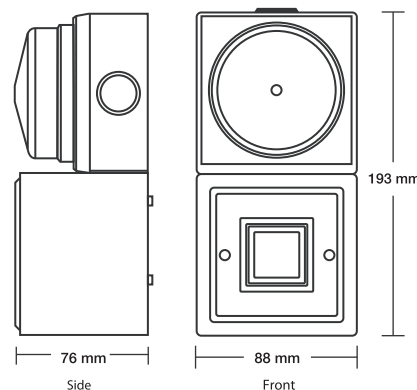
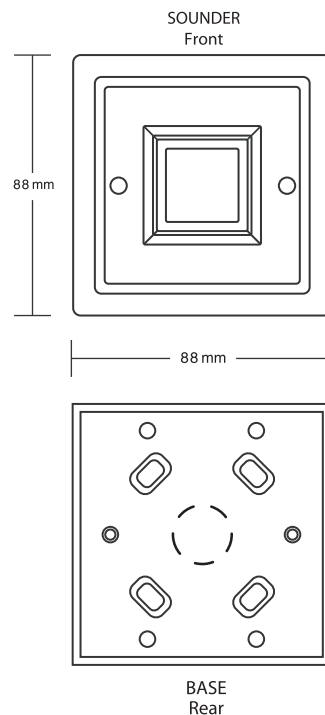
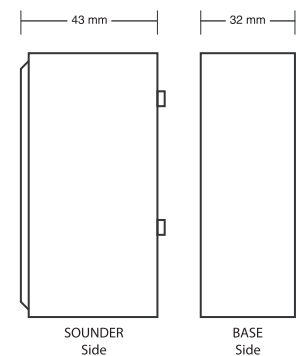
## DEMCO ADVANTAGES

- Functional – Inherent design offers wide operating voltage range.
- Efficiency – Low power consumption with high output.
- Accessible – Removable conduit plug offers easy conduit entries.
- Versatile – Suitable for surface or flush mounting.
- Practical Design – Provision of thread protection plugs protect brass inserts when conceal fixing is necessary.
- Compatible – Works perfectly well with most detection systems.

## SPECIFICATION

Dimensions (H x W x D)	88 x 88 x 43 mm (75mm with base)
Operating Current	Max 35mA at 24V DC
Operating Voltage	12V -24V DC
Operating Frequency	600Hz - 2.5KHz
Sound Output Level (@1m)	100± 3db at 24V DC
Operating Temperature	-10°C min to +60°C max
Approximate Weight	144g
Protection Classification	IP 54
Terminal Capacity	2 x 1.5mm <sup>2</sup> Conductors

*Specifications are subject to change.*



## DESCRIPTION

DEMCO Sounder **D-115** is a versatile, compact electronic sounder that is designed ideally for fire, security and hazard warning. This solid-state sounder offers significantly high output levels at low current consumption. The casing is designed using a high grade ABS engineering plastic that has excellent resistance to impact and heat.

Featuring a red polythene removable conduit plug for easy conduit entries, **D-115** is designed to work effectively with most detection systems incorporating central control equipment. It also facilitates conceal fixing with the provision of thread protection plugs that prevent damage to the brass insert thread at the base of the box.

Perfectly combining performance and functionality, **D-115** has a protection classification of IP 54 and is designed to meet the requirements of BS5839 Part 1:1980.

## Model D-115-154L

Flashing Beacon / Sounder Combination

- Operating Voltage: 24V DC
- Operating Current: 70mA



Lot 3928, Jalan Keretapi Lama  
Off Jalan Kapar 5 1/2 Miles  
42100 Klang  
Selangor Darul Ehsan  
West Malaysia  
Tel: 603-3290 3333  
Fax: 603-3290 2288  
E-mail: sales@demcoalarm.com  
demco@tm.net.my

